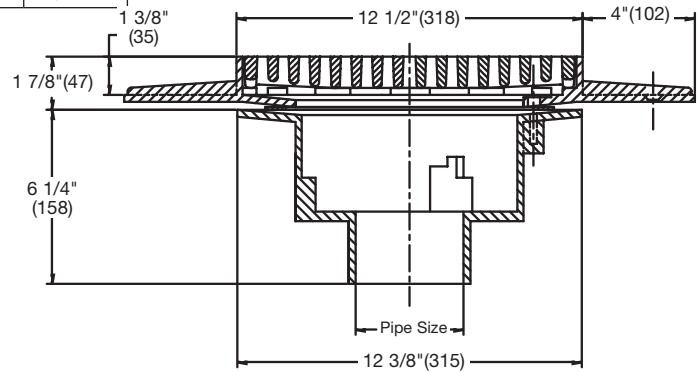


# Parking Deck Drains

**FD-900**

**Parking Deck Drain for Precast Slabs**

Model Number	Weight (lbs.)	Cover Size	Pipe Size	Grate	List Price
FD-910, 3, 4, 5, 6, 8	62	12"	2, 3, 4, 5, 6, 8, 10"	ductile iron	\$2,333.50



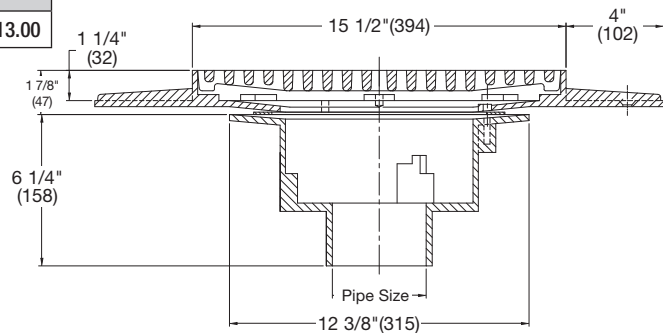
### Options for FD-900/910 Series:

Suffix	Description	List Price
None	No Hub	No Add
P	Push-On Outlet (2, 3, 4, 6" only)	No Add
T	Threaded Outlet (2, 3, 4, 6" only)	\$80.00
X	Inside Caulk Outlet (2, 3, 4, 6" only)	No Add
-5	Sediment Bucket	189.00
-6	Vandal Proof	147.00
-13	Galvanized	1,010.00
D	Underdeck Clamp	240.50

**FD-910**

**Parking Deck Drain For Precast Slabs**

Model Number	Weight (lbs.)	Cover Size	Pipe Size	Grate	List Price
FD-912, 3, 4, 5, 6, 8	76	15"	2, 3, 4, 5, 6, 8,"	ductile iron	\$2,913.00



*Note:* Funnels are ordered separately.  
See page 63 for details.

### Options for FD-900/910 Series:

Suffix	Description	List Price
None	No Hub	No Add
P	Push-On Outlet (2, 3, 4, 6" only)	No Add
T	Threaded Outlet (2, 3, 4, 6" only)	\$80.00
X	Inside Caulk Outlet (2, 3, 4, 6" only)	No Add
-5	Sediment Bucket	189.00
-6	Vandal Proof	147.00
-13	Galvanized	1,010.00
D	Underdeck Clamp	240.50

Supplied By:



**877-903-7246**

[www.commercialplumbingsupply.com](http://www.commercialplumbingsupply.com)

Consult factory for all applications outside of listed parameters.

Prices do not include applicable taxes.

